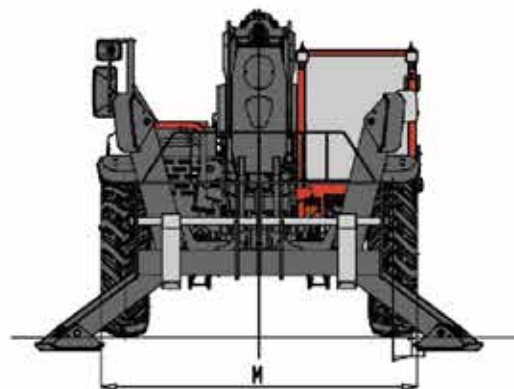
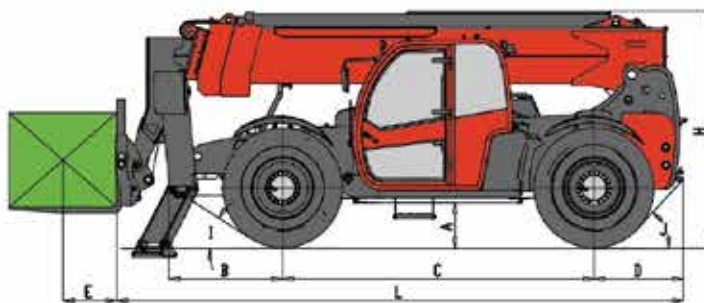
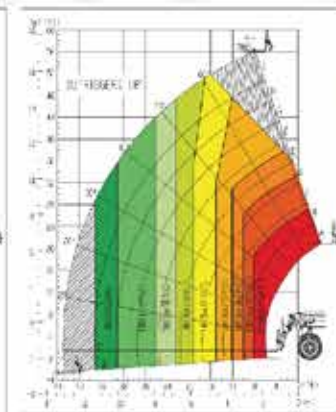
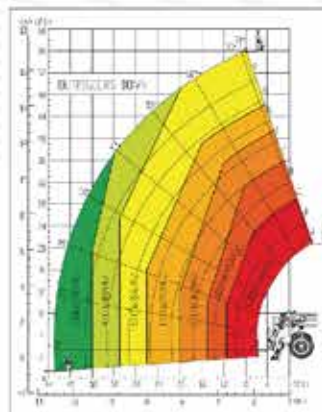


# TELEHANDLERS XT1256U



## ▶ LOAD CHART



## ▶ DIMENSIONS

Dimensions		Imperial
Min. ground clearance	A	1.48ft
Front overhang	B	4ft
Wheel base	C	11.45ft
Rear overhang	D	3.4ft
Load center to carriage	E	1.97ft
Overall length	L	20ft
Overall height	H	8.3ft
Overall width	M	8.4ft
Approach angle	i	31°
Departure angle	J	44.5°

# XT1256U



## PARAMETER

Parameter	Imperial
<b>Dimension</b>	
Overall length(without fork)	20ft
Overall width(stabilizers stowed)	8.4ft
Overall height	8.3ft
Wheelbase	11.45ft
Wheel distance	7.15ft
Min. ground clearance	1.48ft
Fork dimension	3.94×0.49×0.2ft
<b>Weight and tires</b>	
Total weight (with fork)	37000lb
Tire specification	14.00-24
<b>Performance</b>	
Max. lifting capacity	12000lb
Load center to carriage	1.97ft
Max. lifting height	56ft
Lift capacity at maximum height	5000lb
Max. outreach	43ft
Lift capacity at maximum reach	3500lb
Boom up	< 18s
Boom down	< 18s
Boom extend	< 23s
Boom retract	< 22s
Fork tilt down	< 8s
Fork tilt up	< 8s
Boom luffing range	-4° ~ 71°
Carriage tilt range	-14° ~ 111°
Max. traveling speed	> 20mph
Max. traction force	> 65kN
Min. turning radius	< 14.11ft
Frame leveling angle	± 10°
<b>Power System</b>	
Power source	Diesel engine
Engine brand/model	Cummins QSF3.8
Number of cylinders	4
Rated power/rpm	130hp
Emission standard	T4F
Max. torque/rpm	360lb-ft@1600 rpm
Fuel tank volume	37gal
<b>Transmission System</b>	
Numbers of gears (forward/backward)	4/3
Transmission type	Hydrodynamic drive
Steering mode	2-wheel steering/4-wheel steering/crab steering
Drive mode	4×4
<b>Hydraulic System</b>	
Hydraulic pump type	Piston pump
Hydraulic system pressure	28Mpa
Hydraulic system flow	150L/min
Hydraulic oil tank volume	42.27gal

## ▶ STANDARD CONFIGURATION

- Cabin
  - FOPS & ROPS certificates
  - Air conditioner
  - Adjustable suspension seat
  - Seat belt reminder
  - Multi-function proportional joystick
  - Outriggers control
  - Anti-roll system
  - Emergency stop
  - Beacon
  - Reverse alarm
  - Reverse camera
  - 7-inch display
  - Adjustable steering wheel
  - Wiper
  - Horn
  - Radio
  - Cigarette lighter
  - Cup holder
  - Crash hammer
  - Fire extinguisher
- Chassis
  - Wet brake
  - Suspension and shock absorption system
  - Multi-mode turning
  - Outriggers position detection
  - Rear axle center position detection
- Boom
  - Boom sections synchronous telescoping
  - Real-time length and angle feedback system
  - Fork automatic leveling
  - Manual quick change

## ▶ OPTIONAL CONFIGURATION

- Wire harness of attachment on boom
- Attachment oil port expansion
- Foam-filled tires
- Fuel heating system

## ▶ OPTIONAL ATTACHMENTS

- Bucket
- Hook
- Winch