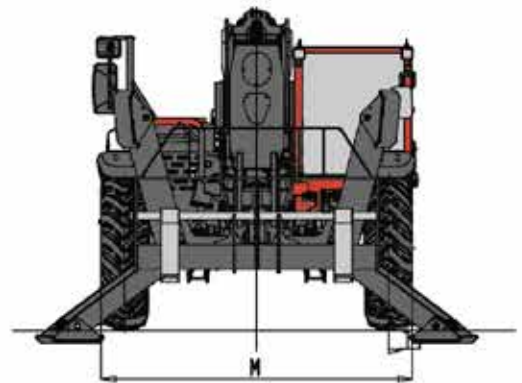
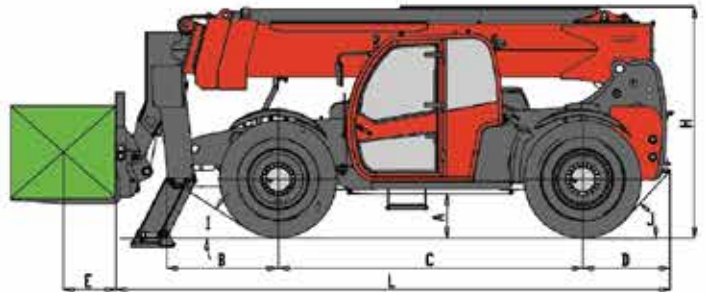


TELEHANDLERS XT1056U



► LOAD CHART



► DIMENSIONS

Dimensions		Imperial
Min. ground clearance	A	1.48ft
Front overhang	B	4ft
Wheel base	C	11.45ft
Rear overhang	D	3.4ft
Load center to carriage	E	1.97ft
Overall length	L	20ft
Overall height	H	8.3ft
Overall width	M	8.4ft
Approach angle	I	31°
Departure angle	J	44.5°

XT1056U



PARAMETER

Parameter	Imperial
Dimension	
Overall length(without fork)	20ft
Overall width(stabilizers stowed)	8.4ft
Overall height	8.3ft
Wheelbase	11.45ft
Wheel distance	7.15ft
Min. ground clearance	1.48ft
Fork dimension	3.94×0.49×0.2ft
Weight and tires	
Total weight (with fork)	33730lb
Tire specification	14.00-24
Performance	
Max. lifting capacity	10000lb
Load center to carriage	1.97ft
Max. lifting height	56ft
Lift capacity at maximum height	5000lb
Max. outreach	43ft
Lift capacity at maximum reach	3000lb
Boom up	< 18s
Boom down	< 18s
Boom extend	< 23s
Boom retract	< 22s
Fork tilt down	< 8s
Fork tilt up	< 8s
Boom luffing range	-4° ~ 71°
Carriage tilt range	-14° ~ 111°
Max. traveling speed	≥ 20mph
Max. traction force	≥ 65kN
Min. turning radius	< 14.11ft
Frame leveling angle	± 10°
Power System	
Power source	Diesel engine
Engine brand/model	Cummins QSF3.8
Number of cylinders	4
Rated power/rpm	130hp
Emission standard	T4F
Max. torque/rpm	360lb-ft@1600 rpm
Fuel tank volume	37gal
Transmission System	
Numbers of gears (forward/backward)	4/3
Transmission type	Hydrodynamic drive
Steering mode	2-wheel steering/4-wheel steering/crab steering
Drive mode	4×4
Hydraulic System	
Hydraulic pump type	Piston pump
Hydraulic system pressure	28Mpa
Hydraulic system flow	150L/min
Hydraulic oil tank volume	42.27gal

▶ STANDARD CONFIGURATION

- Cabin
 - FOPS & ROPS certificates
 - Air conditioner
 - Adjustable suspension seat
 - Seat belt reminder
 - Multi-function proportional joystick
 - Outriggers control
 - Anti-roll system
 - Emergency stop
 - Beacon
 - Reverse alarm
 - Reverse camera
 - 7-inch display
 - Adjustable steering wheel
 - Wiper
 - Horn
 - Radio
 - Cigarette lighter
 - Cup holder
 - Crash hammer
 - Fire extinguisher
- Chassis
 - Wet brake
 - Suspension and shock absorption system
 - Multi-mode turning
 - Outriggers position detection
 - Rear axle center position detection
- Boom
 - Boom sections synchronous telescoping
 - Real-time length and angle feedback system
 - Fork automatic leveling
 - Manual quick change

▶ OPTIONAL CONFIGURATION

- Wire harness of attachment on boom
- Attachment oil port expansion
- Foam-filled tires
- Fuel heating system

▶ OPTIONAL ATTACHMENTS

- Bucket
- Hook
- Winch