

# WHEEL LOADER XC958U



EU Stage V/EPA Tier IV



XCMG North America Corporation  
5145 Schirlls Street, Las Vegas, NV 89118  
Email: [info@xcmgusa.com](mailto:info@xcmgusa.com)  
Phone: (Las Vegas) 725-605-2777  
(Houston) 346-409-2855  
Web: [www.xcmg-usa.com](http://www.xcmg-usa.com)



# Technical Specifications

## ENGINE

Cummins EU Stage V/ Tier 4 Final emissions certified		
Model	B6.7	
Type	Water-cooled, 4-cycle	
Aspiration	Turbocharged & air-to-air intercooled	
Number of cylinders	6	
Displacement	408 in <sup>3</sup>	
SAE J1995	Gross power	168kW
Peak torque	1186N-m	
Fuel system	Direct injection	
Air cleaner	Pre-cleaner and dry type with double elements	

## TRANSMISSION

ZF counter-shaft transmission, Automatic Power Shift, integrated joystick with FNR and KD(kick-down)		
Torque converter	Single-stage, three-element	
Transmission type	Counter-shaft, Power shift	
Travel speed	Forward Reverse	Reverse
1st	4.06 mile/h	4.06 mile/h
2nd	8.13 mile/h	8.13 mile/h
3rd	15.0 mile/h	15.0 mile/h
4th	23.75 mile/h	
Measured with 23.5R25 tires		

## AXLES AND FINAL DRIVES

Model	XCMG Wet Axle	
Drive system	Four-wheel drive	
Front	Fixed,Full-Floating	
Rear	"Fixed on Swing frame,Full-Floating 24° total oscillation"	
Reduction gear	Spiral bevel gear	
Differential gear	Conventional type	
Final reduction gear	Planetary gear, Single reduction	

## HYDRAULIC SYSTEM

Steering system	
Hydraulic pump	Piston type
Relief valve setting	16MPa
Number of cylinders	2
Loader system	
Hydraulic pump	Piston type
Relief valve setting	23MPa
Number of boom cylinders	2
Number of bucket cylinders	1
Raise time	5.7s
Dump time	1.2s
Lower time(empty)	3.5s
Total cycle time	10.4
Controls	Joystick

## STEERING SYSTEM

Load-sensing hydraulic articulated steering, the steering system has priority feed from a load-sensing piston pump with variable displacement.	
Type	Articulated type
Steering angle	40°

## BRAKES

Service brakes	Wet discs actuate on four wheels
Service brake actuation	Hydraulic
Parking brake type	Manual electrical control
Parking brake actuation	Hydraulic

## Cooling

Fan drive	Hydraulically driven, Automatic reversing
-----------	---



# Technical Specifications

## CAB

The cab is ROPS & FOPS certified, ROPS/FOPS meet ISO 3471 and ISO 3449
Pressurized cab with lower interior sound level
Adjustable steering column, heated air suspension seat, AM/FM radio, armrest box, and AC with optimized air outlets
Large heated rearview external mirrors with integrated spot mirrors, rear-view camera and mirrors ensure great visibility
High resolution larger color LCD panel, all important informations are located in the panel.

## SOUND

The sound values indicated below are for specific operating conditions only. Machine and operator sound levels will vary at different engine and/or cooling fan speeds. Hearing protection may be needed when the machine is operated with a cab that is not properly maintained, or when the doors and/or windows are open for extended periods or in a noisy environment

Operator Sound Pressure level according to ISO 6396-2008	≤76dB(A)
Exterior Sound Power level according to ISO 6395-2008	≤106dB(A)
Heating capacity	>8000W
Air conditioning	>5200W

## SERVICE REFILL CAPACITIES

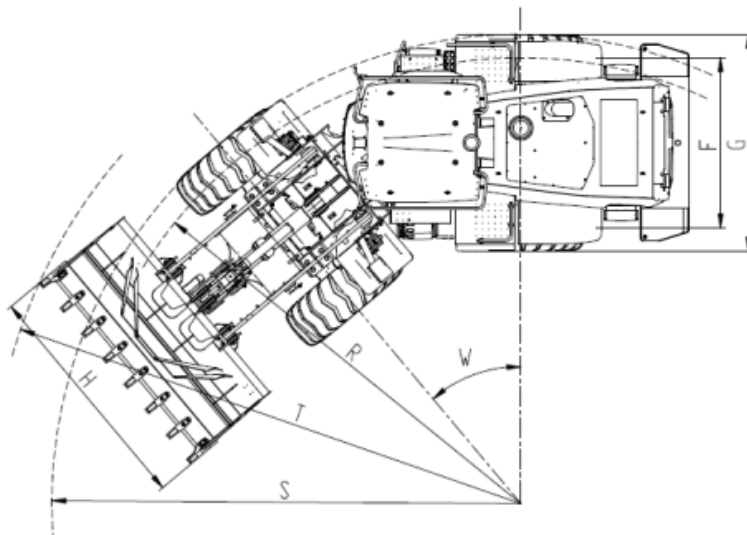
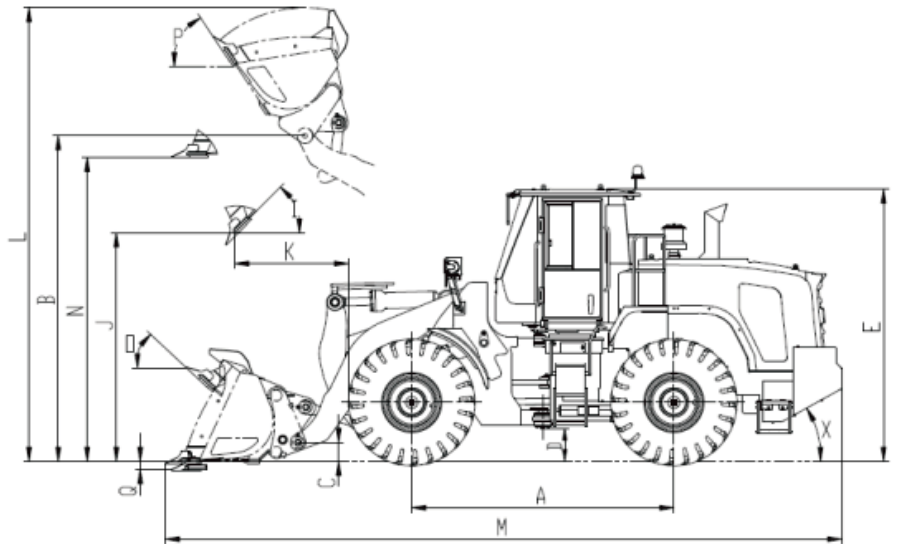
Fuel Tank	79.26 gal
DEF Tank	7.93 gal
Cooling System	11.89 gal
Crankcase	5.29 gal
Transmission	14.53 gal
Differentials and Final Drives-Front	8.99 gal
Differentials and Final Drives-Rear	8.99 gal
Hydraulic Tank	50.20 gal

## ELECTRICAL SYSTEM

Voltage	24V
Batteries	6-QAW-180D
Battery capacity	180AH
Cold cranking capacity	-32 C
Alternator rating	2.2KW
Starter motor output	7.8KW

# Technical Specifications

## DIMENSIONS



F Tread	7.15 ft
G Width over tires	7.15 ft
A Wheelbase	10.99 ft
B Hinge pin height	13.62 ft
C Ground clearance	1.38 ft
D Hitch height	1.38 ft
E Overall height, ROPS cab	11.40 ft

### Z-Bar

Bucket capacity	4.06 yd <sup>3</sup>	4.58 yd <sup>3</sup>
H Bucket width	9.83 ft	10.50 ft
I Maximum dump angle at full height		
J Dump clearance, max height and 45° dump angle	10.07 ft	9.54 ft
K Reach at max.height and 45° dump angle	4.07 ft	4.69 ft
L Operating height(fully raised)	18.55 ft	18.96 ft
M Overall length(bucket on ground)	27.63 ft	28.42 ft
N Maximum digging depth	0.3 ft	0.3 ft
O Bucket rollback at ground level		
P Bucket rollback at maximum height		
S Turning radius, outside of tire	19.73 ft	19.73 ft
R Turning radius, center of tire	18.68 ft	18.68 ft
T Turning radius, bucket carry	22.22 ft	22.32 ft
Static tipping load:straight	24200 lb	28050 lb
40° full turn	22000 lb	24640 lb
Breakout force	39060 lbf	39060 lbf
Operating weight	40810 lb	42240 lb