

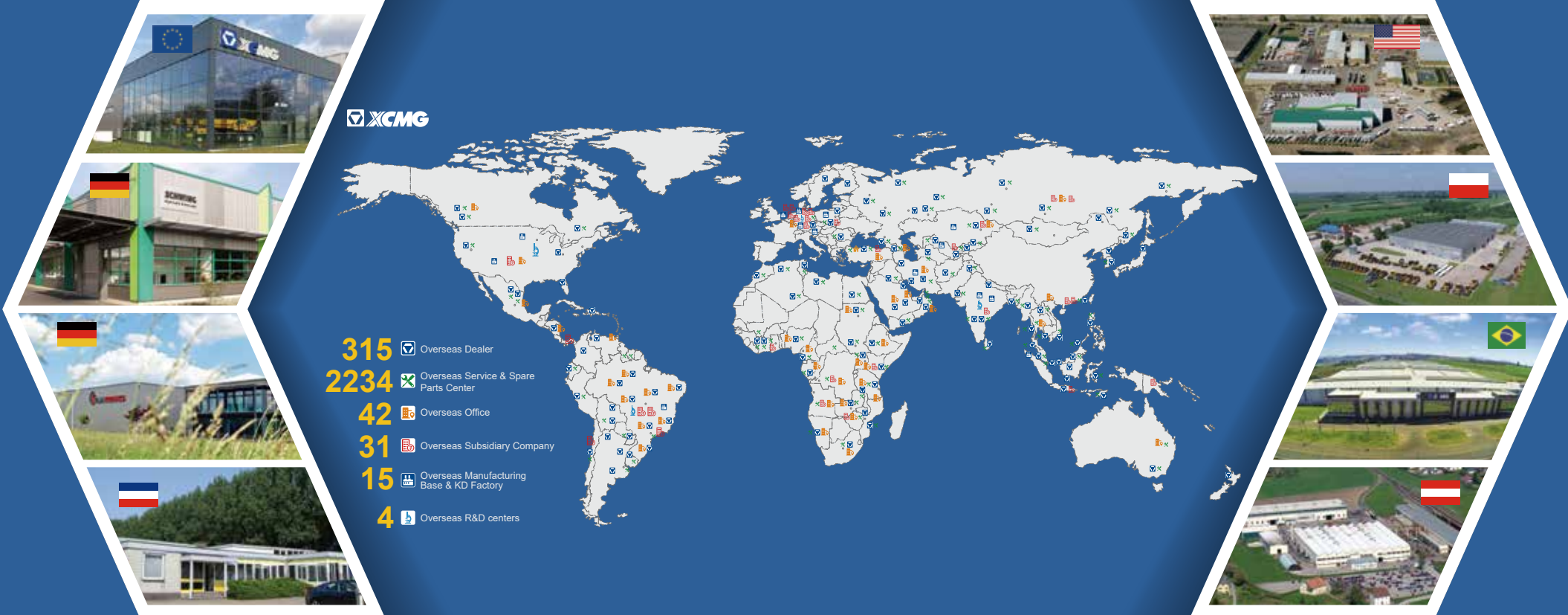
# All Terrain Crane XCA275\_U



U.S.EPA TIER 4F

XCMG North America Corporation  
5145 Schirlls St Las Vegas, NV 89118  
Email: Believe emails are changing to @xcmgusa.com  
Phone: 725-605-2777  
Web: [www.xcmg-usa.com](http://www.xcmg-usa.com)





# INTRODUCTION OF XCMG

XCMG, as a leading enterprise valued of 100 billion RMB, with the largest scale, the best technology level, the largest export volume, and high competitiveness and influence in China's construction machinery industry, has been occupying the first place in China's construction machinery industry for decades, and it now ranks the third in the world industry and the 395th among the world's top 500 brands.

The main products by XCMG consists of 16 categories of equipment such as hoisting machinery, excavation machinery, concrete machinery, mining machinery, earth-moving machinery and road machinery, etc., as well as three categories of key components such as hydraulic system, transmission system and electric control system. Among above-mentioned, hoisting machinery ranks first in the world, and package solution of road construction and maintenance machinery, piling machinery and concrete machinery are among the first-class bloc in the world.

XCMG has accumulated more than 8000 approved patents, including more than 1900 invention patents and more than 130 PCT international patents. Entities of R&D centers, manufacturing plants or KD factories are in operation in more than 10 countries such as Germany, the United States, Brazil and India, XCMG has also acquired three European enterprises including Schwing in Germany. The Brazil manufacturing plant, with an investment of 350 million dollars to build up factories on a bare ground, has become a model of economic cooperation between China and Brazil. At present, XCMG products are exported to 187 countries and regions, covering 97% of the countries along "The Belt and Road" area. In export business to 35 countries, XCMG's proportion ranks NO. 1, with a steady first place within Chinese industry in terms of annual export volume and overseas income.

# OVERVIEW

The 5-axle 275 USt all terrain crane leads the industry in capacity and is built in intelligence.



**275 USt**



**239.5 ft**



**354.3 ft**



7-section boom of 44-239.5 ft; Fixed jib of 39.4 ft ~ 144.36 ft; 0°, 20° and 40° jib offset angles; Max. single line pull 12.6 USt; Max. hoisting speed (single line, no load ) 426.5 ft/min.



# STRENGTHS AND HIGHLIGHTS



## Compliant to the strictest standards & maintenance friendly

- Designed and certified to meet ASME B30 standards and OSHA regulations.
- The crane utilizes a single engine with the pumps driven from the transmission and hydraulic power sent to the upper via a hydraulic swivel.
- Maintenance can potentially be reduced by only having to service one engine.



## Proven power train and superb driving performance

- Mercedes-Benz diesel engine (OM471LA.E4-1), with max. net power of 523 bhp and max. torque of 1814 lb-ft.
- Mercedes-Benz diesel engine (OM471LA.E5-1), with max. net power of 523 bhp and max. torque of 1917 lb-ft.
- 12-speed ZF automatic transmission.
- Max travel speed: 49.7 mph.



## Suspension system

- The suspension includes an automatic leveling mode as well as manual raising and lowering of the crane and elastic and rigid modes.
- Wheel travel is +100 - 127mm (+4.0 - 5.0in)



## Brake system

- Dual circuit air disk brakes.
- Spring applied, air release parking brakes on axles 2, 3, 4, and 5.
- Auxiliary: engine exhaust brake and transmission retarder. (is transmission retarder standard? If it is optional, this needs to be stated.)





## STRENGTHS AND HIGHLIGHTS



Crab walk mode



Tight turning radius mode



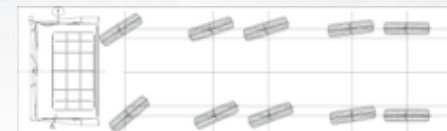
Rear axle locked mode



Independent rear axle steering mode



Normal road steering mode

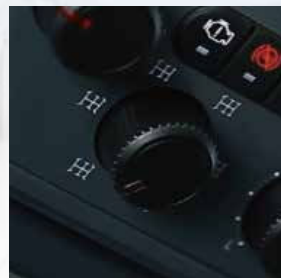


Anti-drift driving mode



### Steering system

- Axles 1 and 2 are mechanically steered + hydraulic power assistance, axles 3, 4 and 5 adopt electric-controlled hydraulic steering.
- Axles 1 and 2 emergency steering booster system is available.



### 6 steering modes

- Easy selection of steering mode by rotary dial.
- Clear arrangement of control elements and displays.



# STRENGTHS AND HIGHLIGHTS



## Luffing system

- Single boom hoist cylinder with gravity down as well as power lowering.
- Direct acting electric proportional boom hoist balance valve with self compensating function is utilized.



## Slewing system

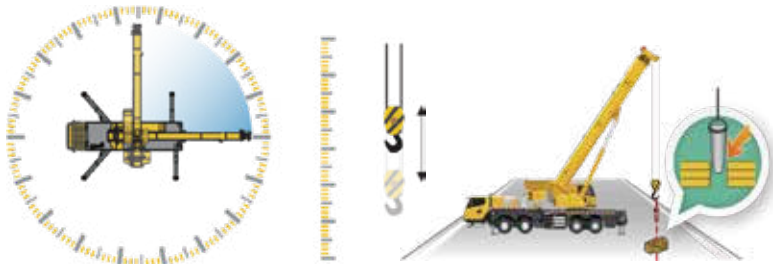
- Planetary gear reducer, normally closed brake.
- Continuous 360° slewing.
- Slewing speed is 0-1.5 rpm.

## New highly efficient energy-saving hydraulic system

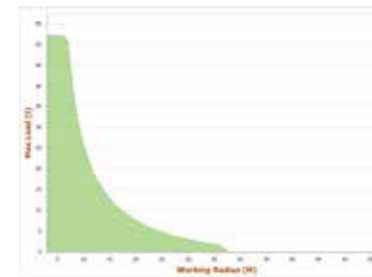
- Independent hydraulic systems for lifting and slewing. Stable minimum speeds and high working speeds even with maximum loads.
- Proven variable displacement pumps and motors tuned to give excellent slow speed and smooth starting and stopping performance.
- Min. stable lifting speed (at drum): 2.6 fpm~3.3 fpm.
- Min. steady slewing speed: 0.1°/s.

## Asymmetric operation mode safety system

- Supports any outrigger combination of 0%, 50%, and 100% extensions and calculates in real time the capacity of the crane and provides limits to the operator and an audible alarm and will stop slewing as limits are approached.



Minimum speed of slewing : 0.1°/s  
 Minimum speed of winch 2.6 fpm~3.3 fpm



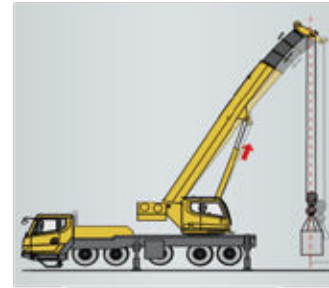


# STRENGTHS AND HIGHLIGHTS



## Automatic working condition planning technology

- Recommend crane configuration based on load, radius and working height.



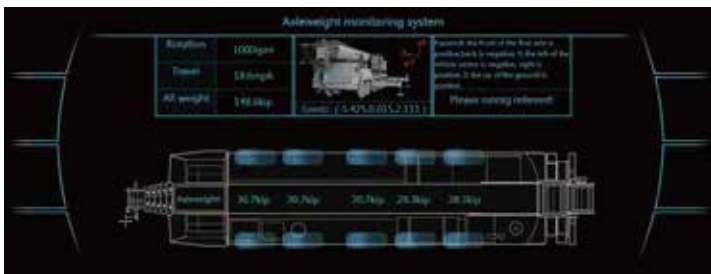
## Automatic luffing compensation technology

- With luffing compensation technology applied, the boom angle is automatically adjusted as a load is applied or removed to maintain a constant load radius.

## Winch servo control technology

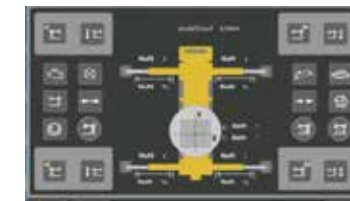
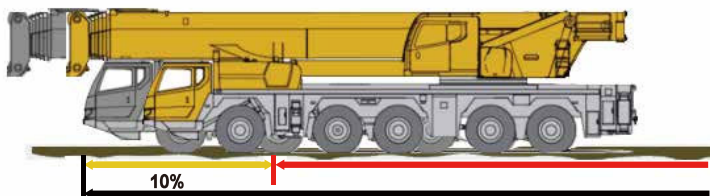


- With winch servo technology, the winches will automatically pay in or out rope depending on the conditions taking the burden off of the operator to have to stop and start telescope or luffing functions.
- The winches can be set to either maintain the hook high above the ground or to maintain the distance between the boom tip and the hook. This works while telescoping and/or luffing the boom.



## Intelligent travel and efficient & excellent off-road performance

- With active axle load monitoring and user selected travel modes, the crane automatically selects the optimum power transmission and suspension settings.
- The crane incorporates an integrated dynamic brake control system to ensure minimum stopping distances in all conditions.



## Outrigger jack cylinder extending/retracting can be realized in the operator cab

- Outrigger jack cylinder extending/retracting can be realized in the operator's cab, which can improve the working efficiency and save the crane adjustment time.



# STRENGTHS AND HIGHLIGHTS



## Driver cab

- 12.3 in color display with large mirror surface makes indication clearer.
- An air-suspending seat designed for the driver is automatically adjustable in height.
- Heater and air conditioner are standard.



## Operator cab

- Ergonomically designed working space makes operation safer and more comfortable.
- 10.4 in colored touch-screen display.
- Operator cab can be tilted up or down by 20°.



- Three control areas: Safety protection, lifting operation and operating environment. Make for easy and convenient control.

## XCMG man-machine interaction system

- Industry pioneering automotive style man-machine interface provides user friendly interaction between the operator and the crane.



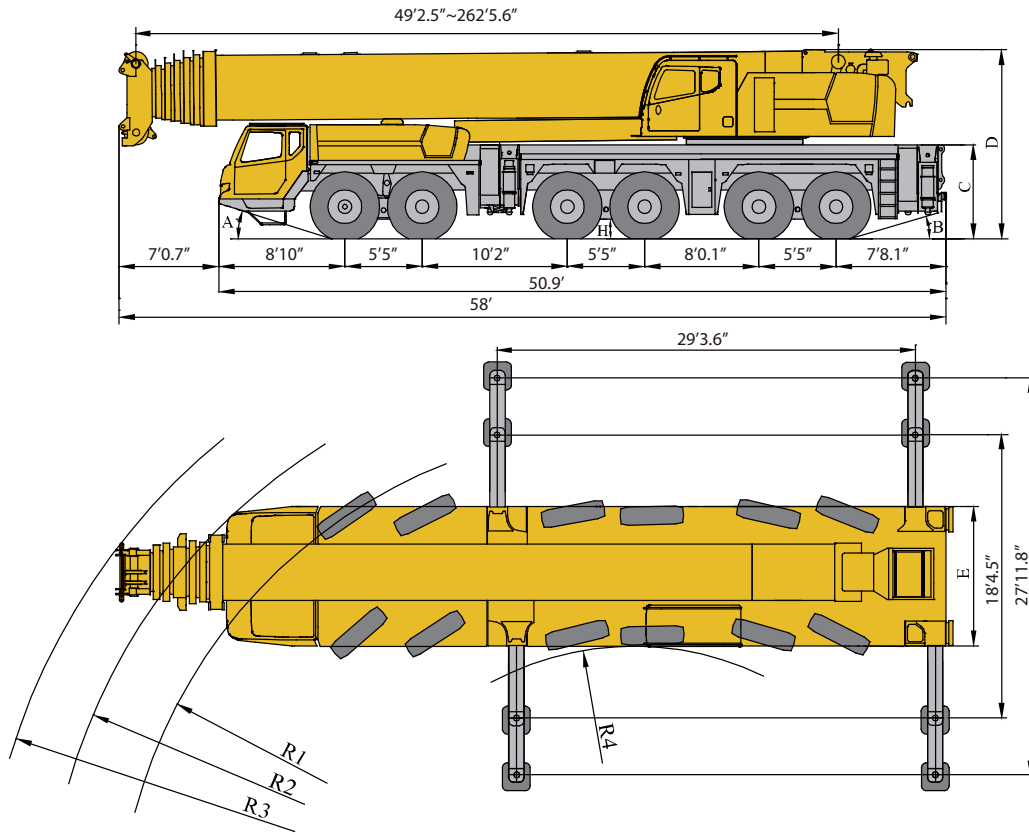
## New appearance and humanized design

- The new generation of styling on the crane combines styling and operator centered ergonomics that you will enjoy operating and be proud of for years to come.



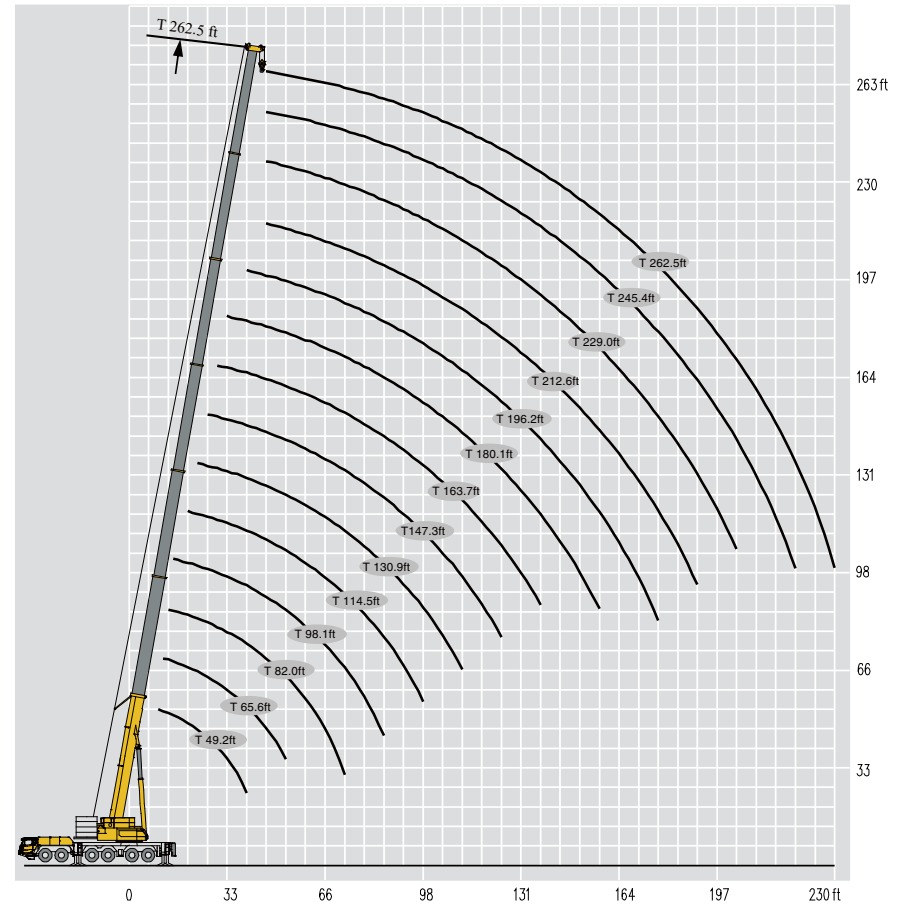
# Technical Specifications

## Dimensions



	A	B	C	D	E	H	R1	R2	R3	R4
445/95R25 (16.00R25)	17°	16°	6'7.3"	13'3.4"	9'10.1"	1'3.2"	37'8.4"	41'11.9"	45'7.2"	21'
525/80R25 (20.5R25)	17°	16°	6'7.3"	13'3.4"	10'2"	1'3.2"	39'4.8"	43'11.9"	47'7.1"	22'

## Lifting heights



# Technical Specifications

## Chassis

Frame	High strength torsion resisting box structure designed and manufactured by XCMG.	●
Outrigger	H-shaped outrigger configuration with single stage outrigger beams and hydraulic jack cylinders. 0%, 50%, 75%, and 100% beam extension settings. Controls on either side of the chassis with level indicators and engine controls. Each jack cylinder is quipped with load detection that is tied into the crane control system to sense when an outrigger is becoming unloaded.	●
Engine	OM473LA.E4-2, in-line six-cylinder water-cooled EFI diesel engine, manufactured by Mercedes, rated power 576.6 hp / 1700 rpm, max. torque 2028.3 lb-ft / 1300 rpm, EPA Tier4f / CARB Tier4f / EU Stage4 emission standards. Fuel tank capacity: 118.9 gal.	●
Hydraulic system	The pump unit directly connected to the PTO port of the engine is used for outriggers, steering, suspension and independent cooling for hydraulic system.	●
Transmission	Allision transmission with 6 forward and 1 reverse speeds. It includes fully automatic and manual modes. Optional retarder can be included.	●
Transfer case	Kessler transfer case includes emergency steering pump to maintain steering control anytime the crane is moving.	●
Axles	Kessler differentials with inter-axle and cross-axle locks and spring set, air release drum parking brakes. The 4th axle is fitted an axle-disconnecting device. 1st, 3rd and 5th axles driving is applied during normal road travel, and 1st, 3rd, 4th and 5th axles driving on complex road conditions.	●
Suspension	Hydro-pneumatic suspension on all axles that provides active automatic leveling, crane height adjustment and +/-5.1in of wheel travel. Includes settings for rigid suspension.	●
Tires	12 high capacity crane specific tires and available spare tire. Tire specifications:445/95R25 (16.00R25)	●
	Tire specifications: 525/80R25 (20.5R25)	○
Brakes	Dual circuit air disk brakes on all wheels with parking brake on axles 2, 3, 4, 5 and 6. Includes engine brake and transmission retarder. Additional eddy-current retarder to extend brake life.	●
Steering	Steering on all axles with direct power steering on axles 1 and 2 and electro-mechanical steering on axles 3, 4, 5, and 6. On and off highway steering modes can be selected.	●
Driver cab	Modern full width driver cab. Fitted with passenger seat, HVAC, radio, safety glass, electric windows and mirrors, adjustable steering wheel, back up camera and full suspension system.	●
Engine preheating	Fuel fired or electric engine preheating system.	○
Electrical system	24V DC negative ground system. 180 Amp alternator and two 12 V batteries.	●

## Superstructure

Frame	Designed and manufactured by XCMG, made of high strength steel.	●
Superstructure engine	OM936LA.E4/3, in-line six-cylinder water-cooled EFI diesel engine, manufactured by Mercedes, rated power 281.6 hp / 2200 rpm, max. torque 848.2 lb-ft / 1200 ~ 1600 rpm, EPA Tier4f / EU Stage4 emission standards. Fuel tank capacity: 76.6 gal.	●

## Superstructure

Hydraulic system	Variable displacement piston pumps for hosting, telescope, luffing and slewing are fitted directly to the superstructure engine. World class electro-hydraulic directional control valves tuned for fine control. Oversized hydraulic oil cooler to keep the system cool in the most demanding conditions.	●
Operating mode	Left and right electronic joy sticks control all crane movements.	●
Main winch system	Lebus grooved drum driven by variable displacement piston motor through planetary gearbox with counterbalance valve and integral brake. Fitted with high strength rotation resistant rope and third wrap indicator.	●
Auxiliary winch system	Lebus grooved drum driven by variable displacement piston motor through planetary gearbox with counterbalance valve and integral brake. Fitted with high strength rotation resistant rope and third wrap indicator.	○
Hook block	154 Ust Hook block	○
	94 Ust Hook block	●
	44 Ust Hook block	●
	13.8 Ust Hook block	●
LMI	Measures boom length and angle, rotation position, outrigger extension and jack and hoist cylinder pressures to calculate the load on the crane. It will visually and audibly indicate when the crane approaches or reaches capacity. It includes event recording and self diagnosis functions.	●
Operator cab	It is equipped with safety glass and protective grilles. A windshield sun shade, a sliding door, adjustable seat, LMI, electric control box, electric windshield wipers, engine accelerator pedal and engine start switch, etc. are available. Can be tilted up to 20° and includes heat and AC.	●
Slewing system	Single row ball slew bearing with external teeth. Driven by a piston hydraulic motor though atwin planetary gear reducers with internal brakes. Continuous rotation and selectable free swing mode.	●
Safety devices	Counterbalance valves fitted on all cylinders and winch motors. Relief valves included in all circuits. Anti-two block and third wrap stops on winches. Full function Wika LMI system and anemometer.	●
Combined counterweight	Total removable counter weight: 99.81tonne (220,04611lb) 6 counterweight combinations of 0lb, 44093 lb, 88185 lb, 132277 lb, 176369 lb and 22046 lb are available.	●
Electrical system	24 V DC negative ground system. 180 Amp alternator and two 12 V batteries.	●

## Boom and jib system

Boom	7-section, U-shape cross section, welded structure. Single-cylinder pinning telescoping system. One double-acting cylinder with safe valve is used to control the telescoping movements of all boom sections. Various telescoping modes are available. Boom length:49.2 ft ~ 262.5 ft.	●
Single top	Pinned at the boom tip and able to be folded to the side when not in use. Single part of line maximum capacity of 12.6 USt.	○
Fixed jib	Lattice welded structure, with 0° , 20° and 40° jib offset angles available. Jib length: 19.7 ft ~ 118.1 ft. Length of wind power jib: 26.2 ft.	○
Light fix jib	Lattice welded structure, with 0° , 20° and 40° jib offset angles available. Light Jib length: 37.4 ft ~ 129.3 ft.	○
Super lifting device	Y-type super lifting device installed on the base boom section with tensioning cables out to the boom tip to minimize boom deflection. Special load charts can then be utilized that take advantage of the increased lifting system capabilities.	○

Product parts list is as mentioned above. Please refer to the product quotation for specific parts.  
Symbol explanation: ● —it means the standard configuration; ○ —it means the optional configuration.

## Lifting capacities (T 49.2~147.3 ft)



	49.2 ft	65.6 ft	65.6 ft	65.6 ft	82.0 ft	82.0 ft	82.0 ft	98.1 ft	98.1 ft
8.0	350.0*								
9.8	303.1								
11.5	303.1	303.1	297.6	303.1					
13.1	303.1	303.1	286.6	297.6					
14.8	303.1	303.1	269.0	297.6	284.4	284.4	284.4		
16.4	303.1	299.8	242.5	297.6	275.6	284.4	275.6	245.8	245.8
19.7	299.8	299.8	216.1	275.6	253.5	264.6	264.6	242.5	238.1
23.0	275.6	266.8	187.4	264.6	253.5	260.1	242.5	220.5	218.3
26.2	253.5	242.5	176.4	229.5	229.1	231.7	220.7	212.7	211.4
29.5	227.1	220.5	156.5	211.2	207.2	210.3	202.2	203.7	201.1
32.8	198.4	187.4	143.3	194.4	181.9	187.4	185.2	184.1	181.7
36.1	176.4	169.8	132.3	176.4	169.8	172.0	177.5	170.6	167.1
39.4	162.0	154.3	121.3	159.8	149.9	155.4	157.9	156.3	151.7
42.7		142.2	110.2	143.7	140.7	142.0	143.7	132.7	130.1
45.9		127.0	102.5	131.4	125.7	127.9	133.6	123.7	122.6
52.5		105.8	90.4	110.2	106.3	110.7	115.7	108.5	105.6
59.1					90.4	95.7	97.0	92.4	89.9
65.6					75.4	82.5	86.0	81.4	75.0
72.2								69.7	65.9
78.7								56.4	57.3
85.3								51.8	48.5
Code	000000	001000	000010	000100	110000	011000	001100	111000	210000

\* Is this "lifting capacity class" or should it be "over rear" or "with special equipment"?



	98.1 ft	114.5 ft	114.5 ft	114.5 ft	130.9 ft	130.9 ft	130.9 ft	147.3 ft	147.3 ft
16.4	245.8	205.0	205.0	205.0					
19.7	233.3	205.0	205.0	200.6	184.1	184.1	156.5		
23.0	213.4	205.0	200.6	194.0	176.4	184.1	149.9		
26.2	199.3	198.4	197.3	187.4	165.3	176.4	143.3	122.1	134.5
29.5	184.5	187.4	185.2	169.8	159.5	165.3	132.3	116.6	130.1
32.8	165.6	172.0	169.3	159.8	151.5	158.7	124.6	110.2	125.7
36.1	153.0	165.3	162.0	148.8	136.7	147.7	117.9	107.6	121.3
39.4	141.3	149.9	147.9	138.2	128.6	138.9	109.6	101.0	116.8
42.7	128.3	138.9	134.5	128.1	119.1	127.9	103.6	94.8	111.3
45.9	121.3	127.9	125.7	122.6	114.1	119.1	94.8	93.6	105.8
52.5	107.8	108.0	105.8	110.2	97.7	101.4	86.0	87.2	97.0
59.1	93.0	92.6	90.4	95.0	81.3	84.9	75.0	78.0	88.2
65.6	80.9	79.4	76.7	83.3	73.5	77.2	73.9	78.0	81.6
72.2	70.5	68.3	67.2	73.9	64.6	68.3	65.9	69.0	70.5
78.7	60.4	60.6	56.2	66.4	55.9	59.5	63.9	61.7	63.9
85.3	53.4	53.8	51.1	57.5	49.4	52.9	58.0	53.4	56.2
91.9		46.3	44.5	50.7	43.6	47.4	53.6	50.0	51.6
98.4		41.4	37.5	43.7	38.2	41.9	49.2	45.4	44.1
105.0		37.3	33.1	39.0	33.8	37.5	42.5	43.8	40.1
111.5					29.4	33.1	38.1	38.8	35.9
118.1					26.5	28.7	33.5	35.9	32.8
124.7								32.6	29.8
131.2								29.8	24.7
Code	021000	111100	211000	011110	211100	111110	011111	111111	211110

## Lifting capacities (T 147.3~262.5 ft)



	147.3 ft	163.7 ft	163.7 ft	163.7 ft	180.1 ft	180.1 ft	180.1 ft	196.2 ft	196.2 ft
26.2	125.7								
29.5	121.3	116.8	114.6	110.2					
32.8	116.8	114.6	112.4	110.2					
36.1	112.4	112.4	110.2	106.9	92.6	88.2	68.3		
39.4	108.0	105.8	108.0	102.7	92.6	88.2	68.3	71.7	68.3
42.7	104.7	97.0	101.4	92.2	88.2	86.0	68.3	71.7	68.3
45.9	99.2	96.1	99.2	90.6	86.0	83.8	66.1	71.7	68.3
52.5	90.4	87.1	88.2	81.4	79.4	75.0	61.7	68.3	66.1
59.1	79.4	79.4	77.2	70.5	72.8	68.3	60.0	63.7	62.0
65.6	74.1	71.2	66.1	66.1	62.8	61.7	55.6	60.6	58.6
72.2	64.8	65.0	61.7	60.4	58.4	55.1	52.7	57.3	54.0
78.7	56.9	57.1	54.7	51.4	54.0	50.7	50.5	52.7	48.9
85.3	49.4	54.0	49.8	48.5	48.9	46.3	46.3	46.5	44.3
91.9	46.3	48.3	44.1	44.5	46.3	43.2	40.1	44.1	40.3
98.4	41.9	43.7	41.9	43.2	42.8	40.1	36.4	39.7	37.5
105.0	37.7	38.8	35.3	40.3	39.0	36.6	34.2	37.5	34.8
111.5	33.3	37.3	33.1	39.7	35.3	32.6	32.4	34.2	30.9
118.1	30.9	32.2	28.7	35.7	33.7	30.4	29.3	32.0	28.7
124.7	27.6	29.1	28.2	33.1	30.0	26.7	26.9	29.8	26.5
131.2	23.1	26.5	25.6	28.9	26.5	24.9	26.5	26.9	24.3
137.8		24.3	22.0	26.9	24.3	22.0	25.6	25.6	23.1
144.4		22.0	19.8	26.5	23.1	21.4	23.4	24.3	21.8
150.9		19.8	17.6	24.5	18.7	17.6	22.3	22.0	20.1
157.5					17.0	15.9	20.5	20.1	17.6
164.0								17.6	16.5
170.6								15.9	15.4
177.2								13.2	12.3
Code	221100	211111	221110	121111	221111	222110	122111	222111	222210



	196.2 ft	212.6 ft	212.6 ft	212.6 ft	229.0 ft	229.0 ft	245.4 ft	262.5 ft
39.4	66.4							
42.7	64.4							
45.9	62.6	55.6	48.7	43.2				
52.5	58.6	55.6	46.5	41.0	42.1	38.1		
59.1	55.1	52.7	44.1	39.0	42.1	36.8	33.1	26.9
65.6	51.1	48.9	42.1	36.6	40.1	35.1	33.1	26.9
72.2	47.2	47.0	39.7	34.6	38.8	33.3	32.4	26.7
78.7	44.3	44.3	37.5	32.4	36.6	32.0	31.1	26.7
85.3	41.2	42.3	35.3	30.9	35.3	30.0	30.2	24.7
91.9	39.0	39.7	33.3	28.2	34.2	28.7	28.4	24.5
98.4	35.9	36.8	31.3	26.2	33.7	26.2	28.5	24.0
105.0	33.7	34.6	29.3	24.7	31.7	24.5	27.3	23.4
111.5	31.5	32.4	28.0	23.6	30.2	23.1	25.1	22.6
118.1	30.0	30.4	26.0	22.3	28.7	22.3	24.0	21.9
124.7	28.2	27.8	24.0	21.4	27.1	20.9	23.0	20.9
131.2	26.5	25.4	22.3	19.8	25.6	19.8	22.1	20.1
137.8	24.7	23.1	20.9	19.2	23.8	18.7	21.1	19.4
144.4	22.3	21.4	19.8	18.1	22.0	17.6	19.6	18.3
150.9	21.2	20.5	18.5	17.6	21.2	16.5	18.1	17.1
157.5	20.1	19.6	17.4	16.5	19.6	15.4	16.8	16.0
164.0	19.2	18.7	16.1	16.1	18.3	14.3	15.7	15.1
170.6	18.1	15.7	15.4	18.1	17.2	13.9	14.3	14.2
177.2	16.3	14.6	14.3	16.8	16.3	13.0	13.4	13.3
183.7		13.7	13.7	14.1	15.2	12.6	12.3	12.6
190.3				13.2	14.3	11.7	11.5	11.7
196.9					13.2	11.0	10.6	11.1
203.4					12.3	10.4	9.9	9.9
210.0							9.3	9.3
216.5							8.4	8.6
223.1							7.1	7.3
229.7								6.6
Code	122211	222211	122221	112222	222221	122222	222222	333333

## Lifting capacities (T 49.2~147.3 ft)



	49.2 ft	65.6 ft	65.6 ft	65.6 ft	82.0 ft	82.0 ft	82.0 ft	98.1 ft	98.1 ft
9.8	303.1								
11.5	303.1	303.1	264.6	303.1					
13.1	303.1	303.1	261.2	297.6					
14.8	303.1	303.1	246.5	297.6	284.4	284.4	284.4		
16.4	297.6	299.8	222.4	297.6	275.6	284.4	275.6	245.8	245.8
19.7	264.6	275.6	205.7	264.6	253.5	264.6	264.6	242.5	238.1
23.0	231.5	224.9	182.1	229.9	230.4	232.8	242.5	220.5	218.3
26.2	191.4	198.4	162.3	198.6	200.2	193.8	198.4	200.0	196.2
29.5	164.5	169.8	144.0	172.2	174.4	168.7	178.6	172.0	167.6
32.8	144.0	147.7	134.0	153.7	154.3	151.0	156.5	148.8	145.5
36.1	125.0	127.4	119.1	133.2	132.9	130.1	135.6	129.0	129.0
39.4	114.6	115.7	111.8	121.5	121.5	120.4	123.5	119.3	119.1
42.7		105.8	101.0	107.1	103.6	105.4	110.2	105.4	103.6
45.9		101.4	94.6	101.4	97.4	99.2	103.6	96.8	94.6
52.5		79.4	84.2	82.5	75.6	80.0	85.1	79.4	73.4
59.1					60.6	65.0	67.2	61.7	57.3
65.6					45.0	49.6	55.6	49.4	46.3
72.2								41.4	37.3
78.7								32.0	28.9
85.3								27.6	24.5
Code	000000	001000	000010	000100	110000	011000	001100	111000	210000



	98.1 ft	114.5 ft	114.5 ft	114.5 ft	130.9 ft	130.9 ft	130.9 ft	147.3 ft	147.3 ft
16.4	245.8	205.0	205.0	205.0					
19.7	233.3	205.0	205.0	200.6	184.1	184.1	156.5		
23.0	211.6	205.0	200.6	194.0	176.4	184.1	149.9		
26.2	199.3	198.4	197.3	187.4	165.3	176.4	143.3	122.1	134.5
29.5	172.0	167.6	165.3	169.8	159.6	165.3	132.3	116.6	130.1
32.8	149.9	145.5	143.3	159.0	151.5	158.7	122.4	110.2	125.7
36.1	132.3	127.9	125.7	134.5	133.2	139.1	110.2	101.4	121.3
39.4	121.3	116.8	116.6	122.4	123.7	128.3	105.2	101.0	116.8
42.7	105.8	103.6	102.5	106.5	104.1	108.0	92.6	94.8	108.0
45.9	99.2	99.2	97.0	99.4	95.2	100.5	91.9	93.5	105.8
52.5	79.1	80.7	75.6	84.0	74.1	79.8	86.2	87.1	79.1
59.1	63.5	61.7	58.6	68.8	59.1	62.0	71.7	69.2	64.2
65.6	50.9	51.1	47.4	56.9	48.5	55.3	59.5	56.0	52.0
72.2	40.6	42.3	39.2	47.2	39.9	44.8	48.5	45.4	41.9
78.7	34.4	35.9	31.1	41.0	34.4	35.3	39.5	37.5	34.4
85.3	30.0	29.1	26.7	34.2	28.7	30.9	34.8	33.1	28.7
91.9		25.6	21.6	28.4	23.1	26.5	30.9	28.7	24.7
98.4		23.4	18.5	26.2	19.8	23.6	26.9	26.5	22.0
105.0		19.8	15.4	24.0	15.4	20.3	24.5	22.3	19.6
111.5					12.1	17.6	19.8	19.8	16.1
118.1					9.9	15.4	17.6	17.9	13.0
124.7								15.0	10.4
131.2								12.8	8.2
Code	021000	111100	211000	011110	211100	111110	011111	111111	211110

## Lifting capacities (T 147.3~262.5 ft)



	147.3 ft	163.7 ft	163.7 ft	163.7 ft	180.1 ft	180.1 ft	180.1 ft	196.2 ft	196.2 ft
26.2	125.7								
29.5	121.3	116.8	114.6	110.2					
32.8	116.8	114.6	112.4	110.2					
36.1	112.4	108.0	110.2	103.6	92.6	88.2	68.3		
39.4	108.0	105.8	108.0	102.7	92.6	88.2	68.3	71.7	68.3
42.7	101.4	97.0	101.4	92.2	89.3	86.0	68.3	71.7	68.3
45.9	99.2	96.1	99.2	90.6	86.0	83.8	66.1	71.7	68.3
52.5	73.4	79.4	76.7	77.2	79.4	75.0	61.7	68.3	66.1
59.1	59.1	64.8	61.5	64.8	64.4	62.4	52.9	63.7	62.0
65.6	48.1	53.8	49.6	56.0	53.1	51.4	48.7	60.6	58.6
72.2	38.4	44.1	42.3	46.3	45.0	43.0	47.4	48.5	47.4
78.7	32.0	35.5	34.0	35.1	36.6	34.6	38.8	41.4	40.3
85.3	25.8	30.9	28.4	31.7	31.1	29.3	33.1	34.6	33.5
91.9	23.6	26.5	22.7	26.5	26.2	24.5	28.4	28.9	28.0
98.4	19.8	22.7	21.4	24.3	23.6	21.8	25.8	26.2	25.4
105.0	17.0	19.8	17.6	22.0	20.7	19.0	22.9	22.3	21.2
111.5	13.4	17.6	15.4	20.1	18.3	16.5	20.3	18.7	17.6
118.1	10.4	15.4	12.8	15.9	15.4	13.7	17.4	16.5	15.4
124.7	8.8	13.0	11.0	14.3	12.8	11.2	15.0	13.9	13.0
131.2	6.6	11.2	8.8	12.3	11.0	9.5	13.2	11.5	10.6
137.8		8.8	6.6	10.6	8.8	7.1	10.8	9.3	8.4
144.4		6.6	4.4	8.4	8.2	6.4	10.1	8.4	7.5
150.9					6.4	4.6	8.4	6.6	5.7
157.5					4.4		5.7	5.1	4.4
164.0								4.4	
Code	221100	211111	221110	121111	221111	222110	122111	222111	222210



	196.2 ft	212.6 ft	212.6 ft	212.6 ft	229.0 ft	229.0 ft	245.4 ft	262.5 ft
39.4	66.4							
42.7	64.4							
45.9	62.6	55.6	48.7	43.2				
52.5	58.6	55.6	46.5	41.0	42.1	38.1		
59.1	55.1	52.7	44.1	39.0	42.1	36.8	33.1	26.9
65.6	51.1	48.9	42.1	36.6	40.1	35.1	33.1	26.9
72.2	47.2	47.0	39.7	34.6	38.8	33.3	32.4	26.7
78.7	42.5	44.3	37.5	32.4	36.6	32.0	31.1	26.7
85.3	39.7	37.0	35.3	27.8	35.3	30.0	30.2	24.7
91.9	30.9	31.7	33.3	25.4	33.3	28.7	28.0	24.3
98.4	28.9	27.8	30.2	23.6	31.3	26.2	23.4	23.4
105.0	24.9	24.0	26.2	22.3	25.1	22.0	22.5	20.5
111.5	21.2	20.9	23.1	21.2	22.0	20.9	21.2	19.6
118.1	19.0	18.1	20.5	20.1	19.0	20.1	20.1	18.7
124.7	16.5	15.7	18.1	19.2	16.5	19.0	18.3	17.4
131.2	14.1	13.4	15.7	17.9	14.6	17.0	15.9	16.1
137.8	11.9	11.2	13.9	16.3	12.8	15.0	14.1	14.3
144.4	11.0	9.5	12.1	14.6	10.8	13.2	12.1	12.3
150.9	8.8	7.5	10.4	12.8	9.3	11.7	10.4	10.6
157.5	7.7	6.0	8.8	11.0	7.7	10.4	8.8	8.8
164.0	6.2	4.6	7.3	9.7	6.0	8.8	7.7	7.7
170.6	4.9		6.0	8.4	4.4	7.5	6.4	6.6
177.2			4.4	7.3	4.4	6.2	5.1	4.9
183.7			4.4	6.2		5.3	4.4	4.4
190.3				4.4		4.4		
Code	122211	222211	122221	112222	222221	122222	222222	333333

## Lifting capacities (T 49.2~262.5 ft)



	49.2 ft	65.6 ft	65.6 ft	65.6 ft	82.0 ft	82.0 ft	82.0 ft	98.1 ft	98.1 ft
11.5	303.1								
13.1	286.6	275.6	261.2	297.6					
14.8	253.5	255.7	235.9	264.6					
16.4	220.5	220.5	222.7	218.3	220.5	222.7	220.5		
19.7	191.8	191.8	196.2	194.0	189.6	191.8	196.2	191.8	187.4
23.0	141.8	144.4	154.3	150.8	137.8	146.2	153.2	144.2	135.8
26.2	94.1	98.8	104.9	104.3	88.8	95.9	102.1	94.6	87.7
29.5	63.9	68.3	76.3	73.6	63.9	70.1	75.6	67.0	60.8
32.8	44.5	50.9	56.0	55.1	44.8	50.5	55.6	47.6	41.9
36.1	28.7	33.1	40.1	37.5	30.9	36.8	41.9	32.8	26.9
39.4	23.4	27.8	32.8	30.6	25.8	31.7	36.8	26.7	20.7
42.7		19.8	23.8	21.6	15.4	22.0	24.3	17.6	13.2
45.9		16.5	21.4	19.2	13.0	18.5	22.9	15.9	10.6
52.5		9.0	13.4	11.5	4.4	6.6	11.0	7.3	
59.1							6.2		
Code	000000	001000	000010	000100	110000	011000	001100	111000	210000



	147.3 ft	163.7 ft	163.7 ft	163.7 ft	180.1 ft	180.1 ft	180.1 ft	196.2 ft	196.2 ft
29.5	63.1								
32.8	46.3	56.0	51.8	58.2					
36.1	33.1	41.2	37.0	44.1					
39.4	25.1	35.1	30.9	37.3	32.2	29.5	35.3		
42.7	17.6	26.0	22.0	26.5	24.3	21.8	26.5		
45.9	14.3	21.4	17.4	23.1	20.9	18.3	23.6	21.2	19.8
52.5	6.6	14.6	11.0	16.1	13.0	10.8	15.7	14.1	12.1
59.1		7.7	4.4	9.5	7.1	5.1	9.3	7.5	6.4
65.6				4.4			4.6		
Code	221100	211111	221110	121111	221111	222110	122111	222111	222210

## Lifting capacities (T 49.2~147.3 ft)



	49.2 ft	65.6 ft	65.6 ft	65.6 ft	82.0 ft	82.0 ft	82.0 ft	98.1 ft	98.1 ft
9.8	302.0								
11.5	302.0	302.0	264.6	302.0					
13.1	302.0	302.0	264.6	297.6					
14.8	302.0	297.6	253.5	297.6	284.4	284.4	275.6		
16.4	297.6	286.6	235.9	286.6	264.6	284.4	264.6	245.8	245.8
19.7	264.6	286.6	205.7	264.6	242.5	253.5	253.5	242.5	227.1
23.0	242.5	253.5	179.9	253.5	242.5	249.1	231.5	209.4	207.2
26.2	231.5	231.5	165.8	218.5	220.5	220.5	209.4	199.5	200.4
29.5	209.4	209.4	150.6	199.7	198.4	199.3	191.1	189.6	188.5
32.8	176.4	183.0	132.3	185.2	177.0	179.7	175.7	173.1	169.8
36.1	143.3	154.3	119.1	157.6	153.9	156.5	157.9	151.0	145.3
39.4	132.3	135.6	110.2	140.0	134.0	138.7	142.4	134.5	129.9
42.7		117.9	100.3	120.2	111.3	117.7	122.4	117.1	114.4
45.9		106.9	96.8	106.9	100.3	106.7	112.4	103.6	101.4
52.5		84.7	81.4	88.2	80.0	84.4	88.2	81.6	79.4
59.1					65.9	67.9	73.2	66.4	64.2
65.6					53.4	57.5	61.7	55.6	52.9
72.2								45.6	43.0
78.7								40.1	37.9
85.3								33.1	29.1
Code	000000	001000	000010	000100	110000	011000	001100	111000	210000



	98.1 ft	114.5 ft	114.5 ft	114.5 ft	130.9 ft	130.9 ft	130.9 ft	147.3 ft	147.3 ft
19.7	191.8								
23.0	146.6	171.5	140.0	159.8					
26.2	96.8	99.2	91.3	107.8	97.9	106.3	114.9		
29.5	66.8	71.0	63.9	78.7	67.9	75.4	83.1	75.2	67.7
32.8	49.4	51.4	44.8	58.4	50.7	57.5	64.6	56.9	50.0
36.1	34.4	37.5	28.7	44.1	34.6	41.7	48.7	44.1	37.5
39.4	28.2	30.4	23.8	37.5	27.3	34.4	41.4	35.9	29.1
42.7	19.8	22.0	15.4	26.5	19.8	24.3	31.1	26.5	21.4
45.9	17.4	19.2	13.2	25.8	16.5	22.9	29.3	24.3	17.9
52.5	8.8	9.5	4.9	13.4	7.7	11.7	17.6	17.6	11.0
59.1		4.4		8.8		6.6	11.0	11.0	4.9
65.6				4.4			6.6	5.1	
Code	021000	111100	211000	011110	211100	111110	011111	111111	211110



	196.2 ft	212.6 ft	212.6 ft	212.6 ft	229.0 ft	229.0 ft	245.4 ft	262.5 ft
45.9	24.9							
52.5	16.8	14.6	18.1	20.9				
59.1	10.8	8.8	12.1	15.0	9.9	13.2		
65.6	4.9	4.4	6.6	9.5	4.4	6.6	7.7	7.7
72.2			4.4	5.1		4.4	4.4	4.4
Code	122211	222211	122221	112222	222221	122222	222222	333333



	98.1 ft	114.5 ft	114.5 ft	114.5 ft	130.9 ft	130.9 ft	130.9 ft	147.3 ft	147.3 ft
16.4	242.5								
19.7	220.5	205.0	198.4	196.2					
23.0	202.4	200.6	196.2	189.6	172.0	184.1	145.5		
26.2	188.3	194.0	192.9	180.8	160.9	172.0	132.3	117.7	134.5
29.5	173.5	183.0	180.8	164.2	154.3	160.9	127.9	112.2	130.1
32.8	156.7	165.3	164.9	155.4	147.0	154.3	114.6	105.8	125.7
36.1	141.1	152.1	145.5	141.1	132.3	141.1	106.5	99.0	121.3
39.4	130.1	134.9	134.5	133.8	124.1	134.5	102.5	96.6	116.8
42.7	112.2	123.5	116.8	121.3	112.4	119.1	92.6	90.4	106.9
45.9	102.5	109.6	103.6	113.5	104.9	110.2	89.7	89.1	101.4
52.5	81.4	87.1	81.6	92.4	82.9	89.9	81.8	82.7	86.0
59.1	66.1	68.6	68.3	75.0	68.6	73.6	78.5	73.6	71.4
65.6	55.1	56.0	53.6	63.1	56.0	60.8	63.9	61.7	59.5
72.2	46.3	48.1	44.1	55.1	46.1	52.9	55.1	53.6	49.6
78.7	41.7	41.9	35.5	47.0	39.7	44.1	47.6	46.3	40.6
85.3	35.3	35.5	31.1	39.7	35.3	38.1	40.8	39.7	36.2
91.9		30.0	26.5	36.8	28.7	33.1	37.3	35.3	30.4
98.4		26.5	22.9	30.9	25.4	28.7	32.4	30.9	26.5
105.0		22.0	18.7	26.5	21.2	23.1	28.2	26.5	23.8
111.5					17.6	22.0	24.7	24.7	21.2
118.1					16.5	17.6	21.4	21.4	17.6
124.7								18.5	15.4
131.2								17.6	13.2
Code	021000	111100	211000	011110	211100	111110	011111	111111	211110

## Lifting capacities (T 147.3~262.5 ft)



	147.3 ft	163.7 ft	163.7 ft	163.7 ft	180.1 ft	180.1 ft	180.1 ft	196.2 ft	196.2 ft
26.2	125.7								
29.5	121.3								
32.8	116.8	116.8	114.6	105.8					
36.1	112.4	112.4	110.2	102.1	92.6	83.8	68.3		
39.4	108.0	105.8	108.0	98.3	92.6	83.8	63.9	67.2	63.9
42.7	104.7	97.0	101.4	93.3	88.2	81.6	63.9	67.2	63.9
45.9	99.2	96.1	99.2	88.2	86.0	79.4	61.7	67.2	63.9
52.5	82.9	88.4	85.3	77.2	76.1	70.5	57.3	65.5	61.7
59.1	68.8	74.1	70.5	66.1	68.3	63.9	55.1	57.3	57.3
65.6	57.3	63.5	58.4	62.8	58.4	57.3	50.9	57.3	51.1
72.2	46.3	52.9	49.6	52.7	50.7	47.0	46.3	52.9	46.7
78.7	40.3	44.1	41.9	46.3	44.1	41.9	44.5	45.4	41.9
85.3	33.5	38.6	35.9	39.7	37.5	36.6	38.1	39.7	39.9
91.9	28.7	33.3	30.9	35.3	32.6	32.0	34.6	35.1	34.2
98.4	24.3	28.7	26.5	30.9	28.7	26.9	30.9	30.4	29.3
105.0	22.0	26.5	24.3	27.6	26.5	24.3	27.6	24.3	25.1
111.5	19.8	24.3	22.0	24.7	24.3	22.0	25.4	23.1	22.0
118.1	16.5	21.6	19.0	22.0	21.2	19.4	22.0	21.6	20.7
124.7	13.2	17.6	16.1	19.8	18.3	16.8	20.3	18.7	17.9
131.2	11.0	15.4	13.4	17.6	15.9	14.1	17.9	16.1	15.2
137.8		13.2	11.2	15.4	13.4	11.9	15.7	13.9	13.0
144.4		11.0	9.0	13.2	11.5	9.9	13.4	11.9	11.0
150.9		8.8	7.3	11.2	9.7	7.9	11.7	9.9	9.0
157.5					7.9	6.2	9.9	8.4	7.5
164.0								6.8	6.0
170.6								5.3	4.4
Code	221100	211111	221110	121111	221111	222110	122111	222111	222210



	196.2 ft	212.6 ft	212.6 ft	212.6 ft	229.0 ft	229.0 ft	245.4 ft	262.5 ft
39.4	62.0							
42.7	59.5							
45.9	58.2	53.4	46.5	41.9				
52.5	52.9	53.4	44.3	39.7	39.9	37.0		
59.1	47.4	50.5	43.0	37.5	39.9	34.6	30.9	24.7
65.6	44.5	46.3	40.8	35.3	37.9	32.8	30.9	24.7
72.2	39.9	44.1	37.5	33.1	36.6	31.1	30.2	24.7
78.7	37.7	42.1	35.3	30.9	34.4	29.8	28.9	24.3
85.3	35.5	40.3	33.1	28.7	33.1	27.8	28.0	22.5
91.9	33.3	37.0	30.9	26.5	32.0	26.5	26.2	22.0
98.4	29.8	33.1	29.1	24.3	30.0	24.3	24.3	21.8
105.0	27.3	28.7	28.4	22.0	27.8	22.3	23.4	20.5
111.5	24.3	24.3	24.5	21.4	25.6	20.9	22.3	19.8
118.1	21.0	22.5	23.8	20.1	23.1	19.8	20.9	18.5
124.7	21.2	19.6	21.8	19.4	20.7	19.6	19.4	17.6
131.2	18.7	17.0	19.8	17.6	18.3	18.7	18.1	15.9
137.8	16.3	14.8	17.6	17.4	15.9	17.6	17.6	14.6
144.4	14.3	12.8	15.4	16.3	13.9	16.5	15.4	13.4
150.9	12.3	11.0	13.7	15.4	12.1	15.4	13.4	12.3
157.5	10.8	9.3	11.9	13.9	10.4	13.2	11.7	11.5
164.0	9.3	7.7	10.4	12.3	8.8	11.7	10.1	10.1
170.6	7.7	6.6	8.8	11.0	7.3	11.0	8.8	8.8
177.2		4.9	7.5	9.7	6.6	8.8	7.3	7.5
183.7		4.4	6.6	8.8	4.9	7.7	6.6	6.6
190.3					4.4	6.6	5.1	5.1
196.9						5.5	4.4	4.4
203.4								4.4
Code	122211	222211	122221	112222	222221	122222	222222	333333

## Lifting capacities (T 49.2~147.3 ft)



	49.2 ft	65.6 ft	65.6 ft	65.6 ft	82.0 ft	82.0 ft	82.0 ft	98.1 ft	98.1 ft
9.8	286.6								
11.5	275.6	286.6	253.5	275.6					
13.1	275.6	275.6	242.5	264.6					
14.8	264.6	264.6	231.5	253.5	253.5	242.5	253.5		
16.4	264.6	253.5	220.5	242.5	242.5	231.5	242.5	231.5	231.5
19.7	246.9	231.5	198.4	220.5	220.5	220.5	220.5	198.4	198.4
23.0	220.5	198.4	176.4	198.4	187.8	198.0	198.4	200.6	198.4
26.2	176.4	176.4	154.8	177.3	166.9	174.4	176.6	167.3	164.5
29.5	137.6	137.6	141.8	141.8	134.5	140.2	143.3	136.5	133.8
32.8	115.5	115.5	111.3	118.4	110.9	115.7	121.3	113.3	108.7
36.1	91.3	91.3	89.1	92.6	89.9	92.2	93.9	91.3	89.1
39.4	80.0	80.0	83.3	83.8	78.9	83.3	85.1	78.9	76.7
42.7		66.8	70.1	70.5	65.7	67.9	69.4	63.5	61.3
45.9		57.3	61.7	63.9	56.9	61.3	65.0	59.1	54.9
52.5		46.1	47.6	48.3	43.9	45.9	49.6	46.1	41.9
59.1		35.3	36.4	36.8	32.6	36.6	38.1	34.6	30.6
65.6					26.0	28.0	31.5	28.2	24.3
72.2					21.4	23.1	26.7	21.4	19.6
78.7								17.9	13.9
85.3								13.2	11.5
Code	000000	001000	000010	000100	110000	011000	001100	111000	210000



	98.1 ft	114.5 ft	114.5 ft	114.5 ft	130.9 ft	130.9 ft	130.9 ft	147.3 ft	147.3 ft
16.4	209.4								
19.7	198.4	198.4	187.4	176.4					
23.0	192.5	187.4	174.2	165.3	167.6	184.1	138.9		
26.2	173.3	172.8	169.3	161.6	158.7	172.0	125.7	117.7	134.5
29.5	138.0	142.0	136.2	145.7	139.3	144.4	119.1	111.3	130.1
32.8	114.6	116.2	110.9	117.7	114.0	119.5	108.0	105.8	114.9
36.1	92.6	90.4	89.3	93.5	92.6	94.8	97.0	92.6	90.4
39.4	80.2	81.8	79.1	87.3	81.8	86.2	90.4	88.0	84.9
42.7	64.8	66.4	65.3	69.7	68.6	71.4	74.5	74.3	70.5
45.9	60.4	62.0	59.3	63.9	59.7	64.8	70.1	67.7	62.6
52.5	47.2	48.7	43.9	51.6	46.5	50.7	54.5	52.9	49.4
59.1	35.9	37.3	34.8	41.9	37.5	42.5	45.2	42.8	40.1
65.6	28.7	30.9	26.2	35.3	28.7	33.5	36.4	36.2	31.5
72.2	24.7	23.8	21.6	28.7	24.0	26.7	30.9	29.3	26.7
78.7	19.2	20.5	18.3	25.4	18.5	20.9	25.8	23.6	21.2
85.3	14.6	18.1	13.7	20.7	16.1	18.5	21.2	21.2	18.7
91.9		14.1	9.7	16.8	12.1	16.8	19.4	17.6	14.8
98.4		11.0	6.6	13.4	8.8	13.4	15.9	16.1	11.5
105.0		7.9	4.4	10.4	6.0	10.6	13.2	13.2	8.8
111.5					4.4	7.9	11.0	11.0	6.0
118.1						5.7	8.8	8.8	4.4
124.7								6.6	
131.2								4.6	
Code	021000	111100	211000	011110	211100	111110	011111	111111	211110

## Lifting capacities (T 147.3~262.5 ft)



	147.3 ft	163.7 ft	163.7 ft	163.7 ft	180.1 ft	180.1 ft	180.1 ft	196.2 ft	196.2 ft
26.2	125.7								
29.5	121.3	110.2	108.0	99.2					
32.8	114.0	108.0	105.8	99.2					
36.1	88.2	94.4	92.2	89.9	77.2	79.4	63.9		
39.4	81.8	87.7	84.4	89.3	77.2	79.4	59.5	59.5	56.2
42.7	68.3	74.3	72.1	75.0	68.3	69.7	55.1	59.5	56.2
45.9	59.7	65.5	62.4	67.0	64.8	65.3	52.9	56.2	52.9
52.5	46.5	49.8	47.0	51.4	51.6	49.8	52.9	50.7	48.7
59.1	37.5	40.6	37.7	42.1	40.1	38.4	42.3	42.8	41.9
65.6	28.9	31.7	28.9	33.3	33.5	31.7	35.3	34.0	33.1
72.2	21.8	27.1	24.3	28.4	26.7	24.9	28.9	27.1	26.9
78.7	18.5	21.4	18.7	22.9	23.1	21.4	25.4	23.6	22.7
85.3	16.1	19.0	16.3	20.5	20.7	19.0	21.2	19.0	18.1
91.9	12.1	17.2	14.6	18.7	16.8	15.4	19.0	17.2	16.3
98.4	8.8	13.9	11.2	15.2	13.4	11.7	15.7	13.9	13.2
105.0	6.0	11.0	8.4	12.3	10.6	8.8	12.6	11.0	10.1
111.5	4.4	8.6	5.7	9.9	8.2	6.6	10.1	8.8	7.5
118.1		6.4	4.4	7.7	6.0	4.4	7.9	6.6	6.6
124.7		4.4		5.7	4.4		6.0	4.4	4.4
131.2				4.4			4.4		
Code	221100	211111	221110	121111	221111	222110	122111	222111	222210



	196.2 ft	212.6 ft	212.6 ft	212.6 ft	229.0 ft	229.0 ft	245.4 ft	262.5 ft
39.4	55.1							
42.7	52.9							
45.9	50.7	44.1	44.1	39.7				
52.5	48.5	44.1	39.9	35.3	33.3	37.0		
59.1	45.2	41.4	37.7	32.8	33.3	34.8	30.9	22.0
65.6	36.6	34.8	36.4	30.4	31.3	33.7	30.9	22.0
72.2	29.5	28.0	30.9	28.4	31.3	32.2	28.7	22.0
78.7	24.3	24.5	25.1	26.2	26.5	30.6	27.1	21.6
85.3	19.2	19.8	22.7	24.7	22.3	26.2	24.7	19.8
91.9	17.6	18.1	18.7	20.7	19.8	22.0	20.7	19.4
98.4	16.3	15.4	17.6	19.8	15.9	19.0	17.6	17.6
105.0	13.4	12.1	14.6	16.8	13.2	15.9	14.3	14.6
111.5	11.0	9.5	12.1	14.1	11.0	13.4	11.9	11.9
118.1	8.8	7.3	10.1	11.9	8.8	11.2	9.9	9.7
124.7	6.8	5.3	8.2	9.9	6.6	9.3	7.9	7.7
131.2	5.1	4.4	6.6	8.2	4.6	7.5	6.6	6.6
137.8	4.4		4.9	6.6	4.4	6.6	4.4	4.4
144.4			4.4	5.1		4.4	4.4	4.4
150.9				4.4		4.4		
Code	122211	222211	122221	112222	222221	122222	222222	333333

## Lifting capacities (T 49.2~196.2 ft)



	49.2 ft	65.6 ft	65.6 ft	65.6 ft	82.0 ft	82.0 ft	82.0 ft	98.1 ft	98.1 ft
9.8	253.5								
11.5	231.5	220.5	209.4	216.1					
13.1	209.4	209.4	198.4	203.9					
14.8	168.7	169.8	179.5	174.2	140.0	149.0	156.7		
16.4	125.0	125.7	134.3	131.4	110.7	118.2	124.8	94.6	87.1
19.7	73.9	78.3	83.8	81.4	71.4	77.8	83.1	74.5	68.3
23.0	50.3	52.2	57.1	54.9	46.1	51.8	56.7	48.9	43.4
26.2	35.3	37.0	41.7	39.7	31.5	36.6	41.2	32.0	26.7
29.5	25.8	25.4	29.8	27.8	20.1	24.9	29.1	24.7	19.8
32.8	19.6	19.0	23.1	21.4	16.1	18.7	22.7	18.5	13.9
36.1	13.2	13.2	17.6	15.4	10.8	13.2	17.6	11.9	8.8
39.4	8.2	9.7	13.7	11.9	4.9	9.5	13.2	7.3	
42.7			9.3	7.7			8.8		
45.9			6.2	4.6			5.7		
Code	000000	001000	000010	000100	110000	011000	001100	111000	210000



	98.1 ft	114.5 ft	114.5 ft	114.5 ft	130.9 ft	130.9 ft	130.9 ft	147.3 ft	147.3 ft
16.4	96.8								
19.7	76.5	78.7	71.4	86.4					
23.0	50.7	52.7	46.3	59.5	47.6	54.2	61.3		
26.2	33.5	37.5	31.5	43.9	32.6	38.8	45.2	42.3	35.9
29.5	26.2	25.6	20.1	31.7	23.1	29.1	35.1	32.4	26.5
32.8	19.8	19.4	13.9	25.1	17.0	22.5	28.4	25.8	20.1
36.1	12.6	13.2	8.8	19.8	11.0	17.6	22.0	19.8	15.2
39.4	8.6	10.1	5.1	15.7	7.9	13.2	18.7	16.1	10.8
42.7		5.7		10.8		8.8	14.3	11.0	6.6
45.9				7.9		5.7	11.0	8.6	4.4
52.5							5.5	4.4	
Code	021000	111100	211000	011110	211100	111110	011111	111111	211110



	147.3 ft	163.7 ft	163.7 ft	163.7 ft	180.1 ft	180.1 ft	180.1 ft	196.2 ft	196.2 ft	196.2 ft
26.2	32.6									
29.5	23.1	31.7	28.2	33.7						
32.8	17.0	23.1	19.8	24.9						
36.1	12.1	17.6	15.0	18.3	15.4	13.2	17.6			
39.4	7.9	13.7	10.6	15.2	13.2	11.2	15.7	13.7	12.6	16.5
42.7	4.4	8.8	6.6	10.8	8.8	6.6	10.1	8.8	7.7	11.7
45.9		6.2	4.4	7.7	5.7	4.4	7.9	6.2	5.1	9.0
52.5										4.4
Code	221100	211111	221110	121111	221111	222110	122111	222111	222210	122211

## Performance parameters

Category	Item	Unit	Parameter
Dimensions	Dimensions (LxWxH) (16.00R25)	ft	58x9.8x13.3
	Dimensions (LxWxH) (20.5R25)	ft	58x10.2x13.3
	Track (front/rear) (16.00R25)	ft	8.5
	Track (front/rear) (20.5R25)	ft	8.4
	Max. permissible total weight (16.00R25)	lb	162780
	Max. permissible total weight (20.5R25)	lb	164500
Weight	1 <sup>st</sup> axle (16.00R25)	lb	27130
	1 <sup>st</sup> axle (20.5R25)	lb	27417
	2 <sup>nd</sup> axle (16.00R25)	lb	27130
	2 <sup>nd</sup> axle (20.5R25)	lb	27417
	3 <sup>rd</sup> axle (16.00R25)	lb	27130
	3 <sup>rd</sup> axle (20.5R25)	lb	27417
	4 <sup>th</sup> axle (16.00R25)	lb	27130
	4 <sup>th</sup> axle (20.5R25)	lb	27417
	5 <sup>th</sup> axle (16.00R25)	lb	27130
	5 <sup>th</sup> axle (20.5R25)	lb	27417
	6 <sup>th</sup> axle (16.00R25)	lb	27130
	6 <sup>th</sup> axle (20.5R25)	lb	27417
Power	Min. turning diameter (16.00R25)	ft	≤75.4
	Min. turning diameter (20.5R25)	ft	≤78.8
Travel	Min. turning diameter at boom tip (16.00R25)	ft	≤91.2
	Min. turning diameter at boom tip (20.5R25)	ft	≤95.2

Category	Item	Unit	Parameter		
Performance	Max. total rated lifting capacity	Ust	350		
	Min. rated working radius	ft	8		
	Turning radius at turntable tail(Counterweight )	ft	19		
	Max. load moment	Base boom	lb-ft	6837181	
		Fully-extended boom	lb-ft	4150988	
		Fully-extended boom + Jib	lb-ft	1003082	
	Outrigger span	Longitudinal	ft	29.3	
		Lateral	ft	28	
	Hoist height	Base boom	ft	53.5	
		Fully-extended boom	ft	259.5	
		Fully-extended boom + Jib	ft	367.5	
	Boom length	Base boom	ft	49.2	
		Fully-extended boom	ft	262.5	
		Fully-extended boom + Jib	ft	370.1	
Working speed	Jib offset angle	°	0,20,40		
	Boom raising time	s	≤85		
	Boom fully extending time	s	≤900		
	Slewing speed	rpm	0 ~ 1.2		
	Outrigger extending and retracting time	Outrigger beam	Retracting	s	≤20
			Extending	s	≤35
		Outrigger jack	Retracting	s	≤40
			Extending	s	≤70
	Hoisting speed (single line, 4th layer, no load)	Main winch	fpm	≥416.7	
		Auxiliary winch	fpm	≥416.7	



# Optimum Services , XCMG Guaranteed



XCMG approved attachments



Genuine parts

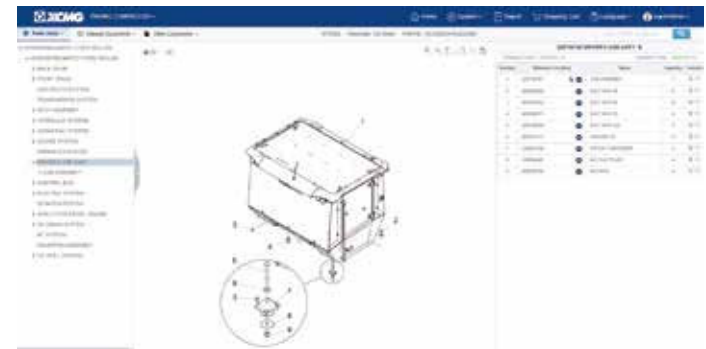
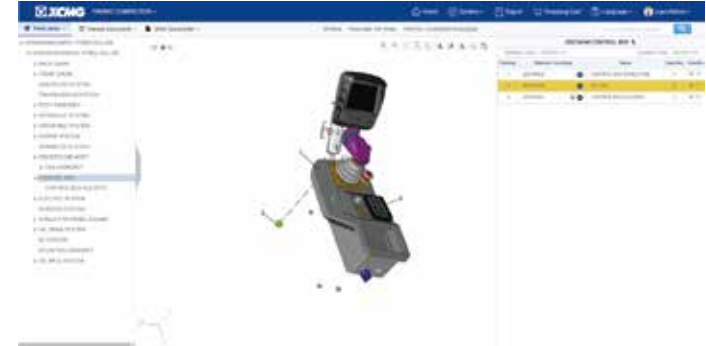


Financial solutions



Maintenance contract

## XCMG Global Spare Parts System



## Professional Integrated Complete Solutions

XCMG group has built a strong reputation based on the quality, reliability and durability of its construction machinery. What's more, XCMG has established a world wide service and parts network to provide support to every customer regardless of location.

## Full Range of Services Ready for You

In order to respond to your needs as fast as possible, XCMG experts can be dispatched to your job site from a facility near you. A full range of services are available to reduce your total cost of ownership and increase your revenue.



Mobile cranes



Excavators



Aerial work platforms



Wheel loaders



Road machinery









 **XCMG**

---

